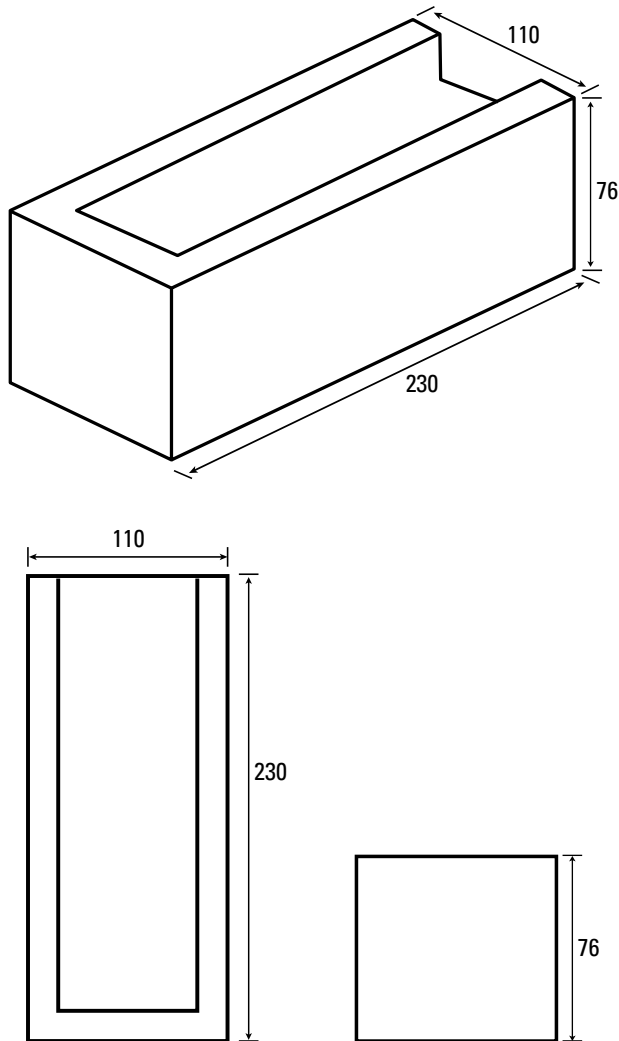


Data Sheet L11.076 Litec Common Brick

PRODUCT DIMENSIONS



All dimensions are in millimeters

AS3700 Section 7.3.2 using Mortar Classification of M3 as per Table 10.1 of AS3700-2011. To calculate F_d the Design Compressive Force acting on the wall, the capacity reduction factor (k) for slenderness and eccentricity must also be applied.

* Refer to NSW fire and sound brochure to determine structural adequacy

+ Refer to fire and sound brochure for methods of installation to achieve $R_w + C_{tr}$ ratings

PRODUCT SPECIFICATIONS

L11.076	230 x 110 x 76mm
Compressive Strength	10MPa
Average Weight	3.2kgs
Dimensional Tolerance	+/- 2mm
% Cores	< 30%
Colour	Common Grey
Face Surface Area	48.6 units/m ²
Equivalent Material Thickness	110mm
Configuration	Full Bed Loading
Basic Compressive Capacity (F_0)	365kN/m ²
Durability Grade	Exposure
Fire Resistance Period	120mins for integrity and insulation*
Post-Industrial Waste Content	>40%
Sound Rating	$R_w=47^+$
Tested in accordance with	AS4456 : 2003
Manufactured in accordance with	AS4455.1 : 2008

For more information visit adbrimasonry.com.au or call 1300 365 565