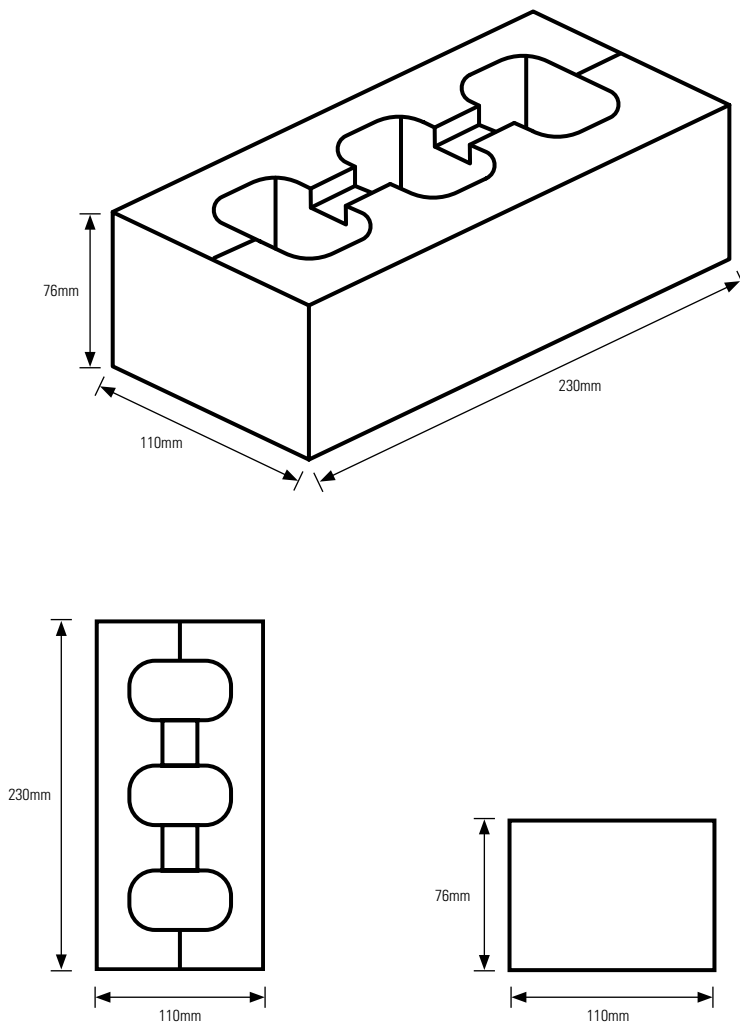


Data Sheet Coloured face brick

PRODUCT DIMENSIONS



All dimensions are in millimetres.

Calculated in accordance with AS3700 Section 7.3.2 using Mortar Classification of M3

*Refer to the Adbri Fire & Sound brochure to determine structural adequacy

*Refer to the Adbri Fire & Sound brochure for methods of installation to achieve $R_w + C_{tr}$ ratings

PRODUCT SPECIFICATIONS

Coloured face brick	230mm x 110mm x 76mm
Compressive Strength	Minimum 8MPa
Basic Compressive Capacity (F_o)	322 kN/m ²
Configuration	Full Bed Loading
Average Weight	3.1kgs
Dimensional Tolerance	+/- 2mm
% Cores	< 30%
Surface Area	52.5 units/m ²
Equivalent Material Thickness	110mm
Fire Resistance Period	90mins for integrity and insulation*
Sound Rating Bare	$R_w=47^+$
Tested in accordance with	AS4456 : 2003
Manufactured in accordance with	AS4455.1 : 2008

For more information visit adbrimasonry.com.au or call 1300 365 565