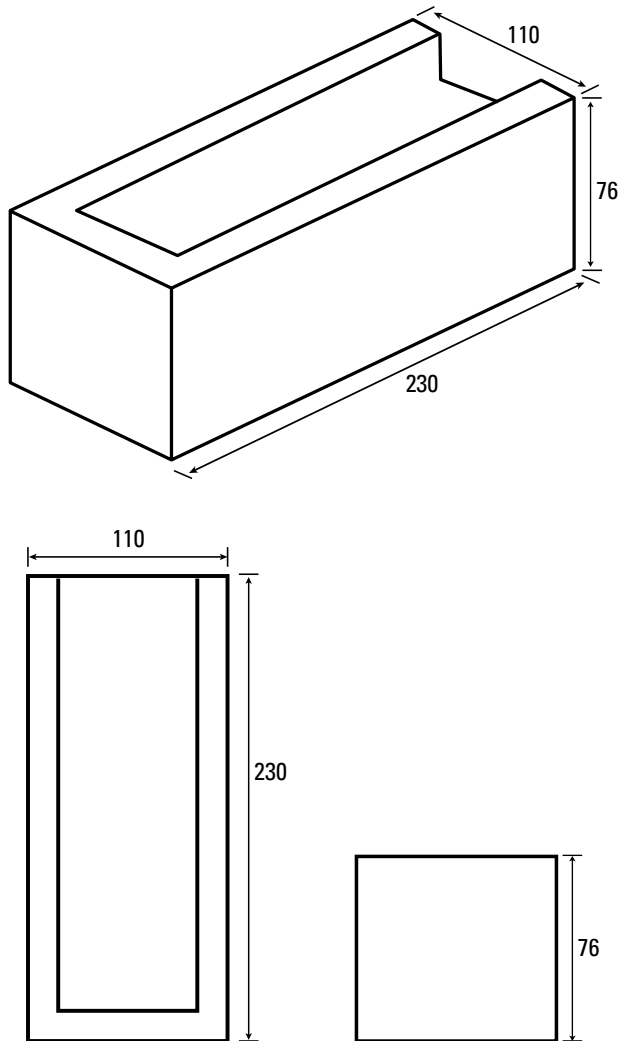


Data Sheet Architectural Brick

PRODUCT DIMENSIONS



PRODUCT SPECIFICATIONS

Architectural Brick	230mm x 110mm x 76mm
Weight per unit	3.3kg
Units per pallet	500
Compressive Strength	Minimum 5MPa
Dimensional Tolerance	+/-2mm
Face Surface Area	48.6 units/m ²
FRL Integrity and Insulation	90 mins*
Origin of Manufacture	Tasmania
Sound Rating	R _w = 47*
Tested in accordance with	AS/NZS4456 : 2003
Manufactured in accordance with	AS4455.1 : 2008

* For structural adequacy and R_w + C_{tr} values please refer to the Victorian Fire and Sound brochure.
All dimensions are in millimeters

For more information visit adbrimasonry.com.au or call **1300 365 565**