

# Garden Sleeper

Available in NSW/ACT, QLD, VIC

**adbri** MASONRY  
working together



Recommended For



Garden beds



Garden edging



Mowing strips



Retaining walls

## One piece sleeper wall system

Garden Sleeper is a DIY friendly low height garden wall which is perfect for edging, planter boxes, mowing strips and low height retaining walls.

The system is easy to use because one sleeper does it all - sleepers can be used as a low-cost alternative to steel posts! Each sleeper features a raked surface texture providing a natural finish that will look great in your project!



### COLOUR OPTIONS

Charcoal



Due to natural variations in aggregates, colour tones may vary from batch to batch.

Whilst these swatches provide a good indication of the products colour, you should always sight product samples before use.

### FEATURES

- ✓ Build walls to 600mm high
- ✓ Use the sleeper as a low-cost post
- ✓ Very quick and easy to build with

**AUSTRALIAN MADE** **QUALITY**  
**MASONRY** **CONCRETE PRODUCTS**  
**BUILT TO LAST.**





### AVAILABLE SIZES



**Garden Sleeper**  
4.16 units per m<sup>2</sup>

### COLOUR OPTIONS



Charcoal

### TECHNICAL INFORMATION

Range	Size (mm) L x D x H	No. per m <sup>2</sup>	Weight (kg)	No. per pallet	Colours
Garden Sleeper	1200 x 200 x 75	4.16	40	30	Charcoal

Adbri's Garden Sleeper for low height garden walls. Sleeper units can be installed to a maximum 3 courses high.

For level retained ground in garden applications. Not suitable for pavement use, retaining driveways or structures.

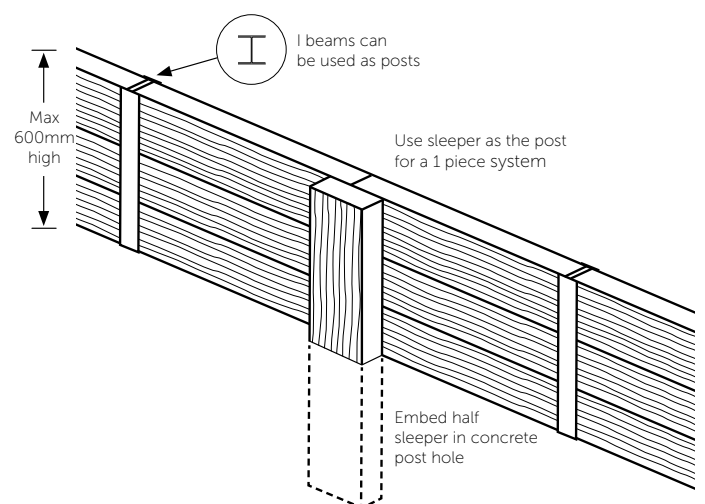
### INSTRUCTIONS

When using Garden Sleeper as a post, mark out the wall and spacing of posts. Prepare a suitable post hole ensuring the depth of post hole equals the height of the wall above the ground (if building 600mm high, post hole must be 600mm deep).

Then embed post vertically, fill the hole with concrete and check for level. Once the post is embedded and firm, build sleeper wall behind the posts. Apply landscape adhesive to the back of the sleeper posts to form contact with the sleepers when they are installed.

*All dimensions are in millimetres*

*Metal posts / I beams are sold separately via 3rd party retailers.*



BRICKS



BESSER® BLOCKS



PAVERS



RETAINING WALLS



1300 365 565 | [www.adbrimasonry.com.au](http://www.adbrimasonry.com.au)

ABN: 31 009 687 521 | ISSUE DATE: 09/2019

**adbri**MASONRY  
working together