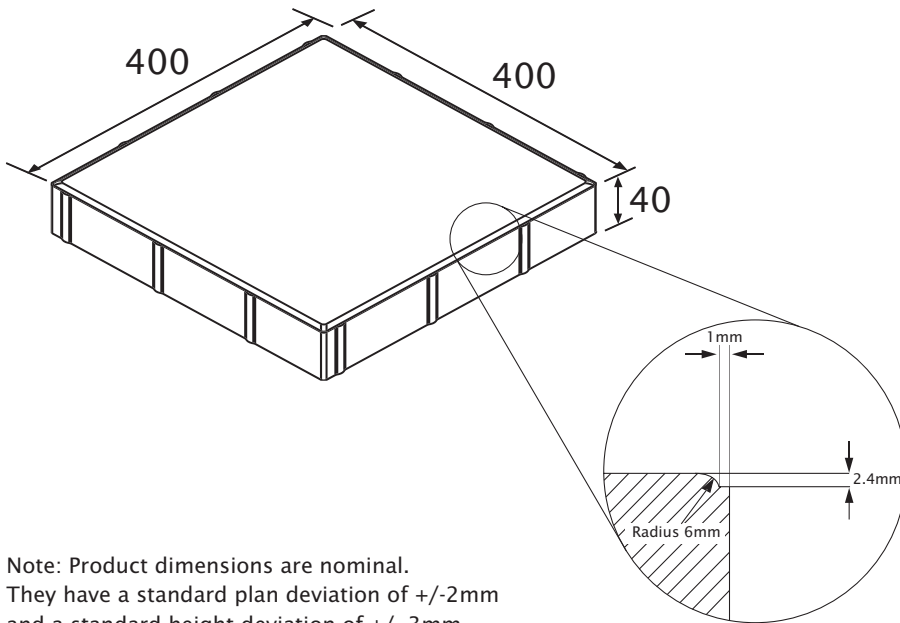


Quadro™

Product Dimensions



Note: Product dimensions are nominal. They have a standard plan deviation of +/-2mm and a standard height deviation of +/- 3mm in accordance with DPB2 Table 2.3 in AS/NZ 4455.

All dimensions are in millimetres.

Product Specifications

| | |
|--------------------------------|---|
| Average Product Weight | 13.3kg |
| Average No. Per Tonne | 75 |
| Average No. Per m ² | 6.25 |
| Average No. Per Pallet | 117 |
| Bevel Size | 6mm approx |
| Nib Size | 1.5mm |
| Available Colours | Ivory Mocha Fossil Charcoal Oatmeal Sunstone Terracotta |

| Description | Results | Test Method / Standard |
|------------------------------|---|------------------------|
| Abrasion Resistance Index | 7.0 | AS/NZS 4456.9 : 2003 |
| Characteristic Breaking Load | 5.0kN | AS/NZS 4456.5 : 2003 |
| Mean Modulus of Rupture | >4.0MPa | AS/NZS 4456.5 : 2003 |
| Slip Resistance | V Very low risk of slipping on floor surface when wet | AS/NZS 4586 : App.A |
| Water Absorption Properties | Maximum 7% | AS/NZS 4456.14 : 2003 |
| Resistance to Salt Attack | Exposure Category | AS/NZS 4456:10 : 2003 |
| Potential to Effloresce | Nil to Slight | AS/NZS 4456.6 : 2003 |
| Dimensional Deviation | DPB2 | AS/NZS 4455 : 1997 |