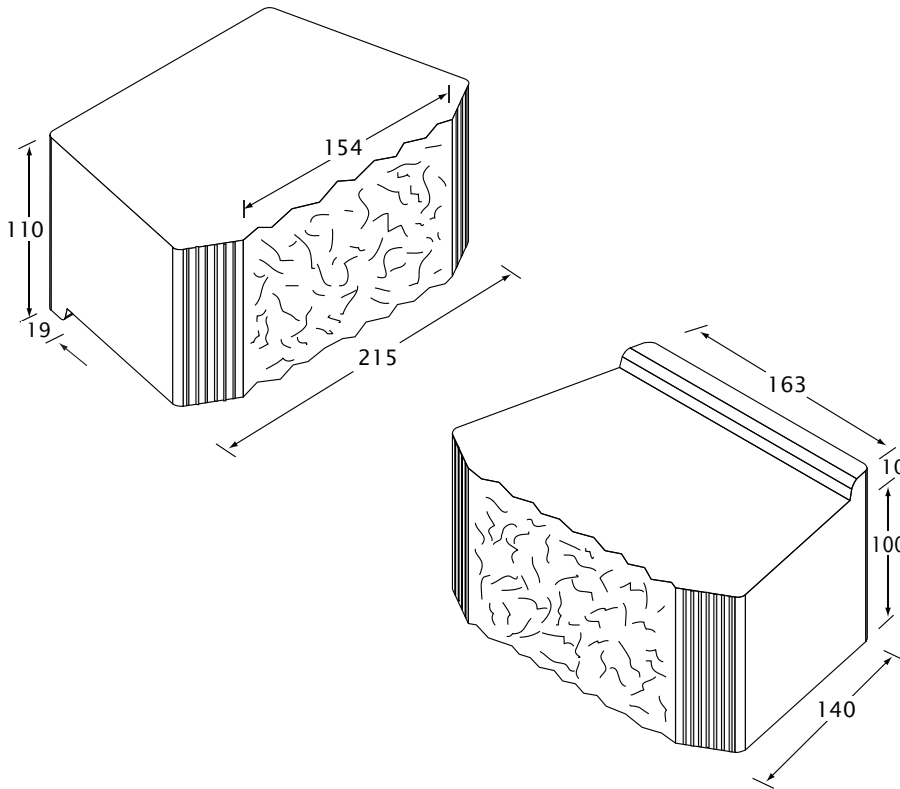


Borderstone

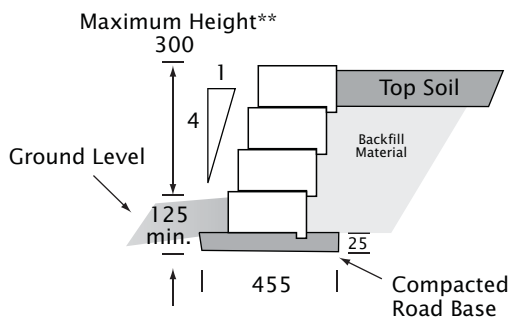
Product Dimensions



Product Specifications

| | |
|----------------------------------------------------------------------------------------------------------------------------------------------|----------------------------------------------|
| Average Product Weight | 5.5kg |
| Average No. Per m ² | 4.65 |
| Minimum Setback | 1 : 4 |
| Maximum Height** | 300 |
| Available Colours <small>Colours may vary from time to time. Please check with your local reseller for availability.</small> | Autumn Brown Sandstone Charcoal |
| Available Colours South QLD <small>Colours may vary from time to time. Please check with your local reseller for availability.</small> | Autumn Gold Charcoal Red Ochre |
| Available Colours North QLD <small>Colours may vary from time to time. Please check with your local reseller for availability.</small> | Blackbutt Pottery Redwood Sandstone |

Installation Guide



For detailed information about the installation of this product please refer to our Border Stone brochure.

Testing Information

| | |
|----------------------|------------------------------------|
| Description | Compressive Strength |
| Results | Minimum 20MPa |
| Test Method/Standard | Anchor Wall Systems Specifications |

* All dimensions are in millimetres
 ** The maximum height noted assumes optimum soil conditions

DS/BORD/SVD/SPEC/7-01