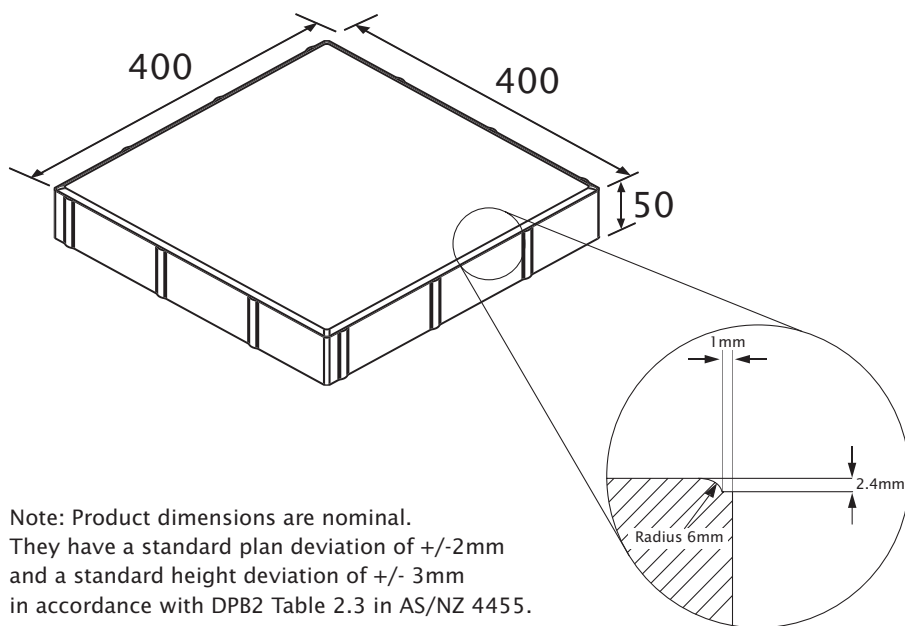


# Santa Fe 400mm x 400mm

## Product Dimensions



Note: Product dimensions are nominal. They have a standard plan deviation of +/-2mm and a standard height deviation of +/- 3mm in accordance with DPB2 Table 2.3 in AS/NZ 4455.

All dimensions are in millimetres.

## Product Specifications

Average Product Weight	16.7kg
Average No. Per Tonne	60
Average No. Per m <sup>2</sup>	6.25
Average No. Per Pallet	90
Bevel Size	6mm approx
Nib Size	1.5mm
Available Colours	Santolina Sandstone Verona Stromboli Illiad

Description	Results	Test Method / Standard
Abrasion Resistance Index	7.0	AS/NZS 4456.9 : 2003
Characteristic Breaking Load	7.0kN	AS/NZS 4456.5 : 2003
Mean Modulus of Rupture	>4.0MPa	AS/NZS 4456.5 : 2003
Slip Resistance	V Very low risk of slipping on floor surface when wet	AS/NZS 4586 : App.A
Water Absorption Properties	Maximum 7%	AS/NZS 4456.14 : 2003
Resistance to Salt Attack	Exposure Category	AS/NZS 4456:10 : 2003
Potential to Effloresce	Nil to Slight	AS/NZS 4456.6 : 2003
Dimensional Deviation	DPB2	AS/NZS 4455 : 1997