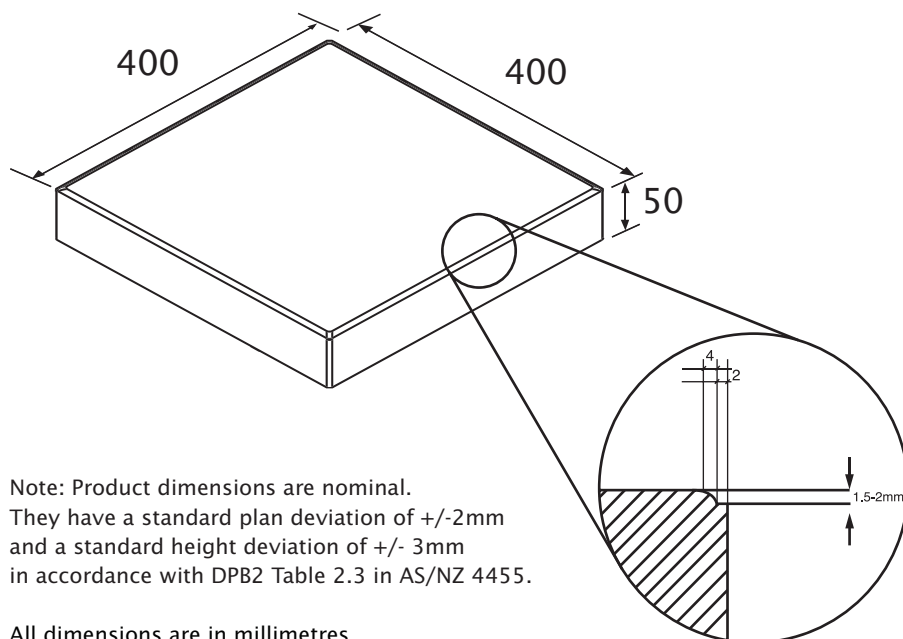


Euro Metro 400mm x 400mm

Product Dimensions



Note: Product dimensions are nominal. They have a standard plan deviation of +/-2mm and a standard height deviation of +/- 3mm in accordance with DPB2 Table 2.3 in AS/NZ 4455.

All dimensions are in millimetres.

Product Specifications

Average Product Weight	18.6kg
Average No. Per Tonne	54
Average No. Per m ²	6.25
Average No. Per Pallet	90
Bevel Size	1.5 - 2.0mm
Available Colours	Tan Ivory Silver Charcoal Grey

Description	Results	Test Method / Standard
Mean Abrasion Resistance Index	3.5	AS/NZS 4456.9 : 2003
Characteristic Breaking Load ¹	10kN	AS/NZS 4456.5 : 2003
Mean Modules of Rupture	>5.0 MPa	AS/NZS 4456.5 : 2003
Unsealed Slip Resistance ²	V Very low risk of slipping on floor surface when wet	AS/NZS 4586 : App.A
Water Absorption Properties	Maximum 3%	AS/NZS 4456.14 : 2003
Resistance to Salt Attack	Exposure Category	AS/NZS 4456:10 : 2003
Potential to Effloresce	Nil to Slight	AS/NZS 4456.6 : 2003
Dimensional Deviation	DPB2	AS/NZS 4455 : 1997

Notes: 1 For additional information refer to Euro Installation Guide.
2 Sealing of the surface will reduce slip resistance. Refer to Adbri Masonry for details.