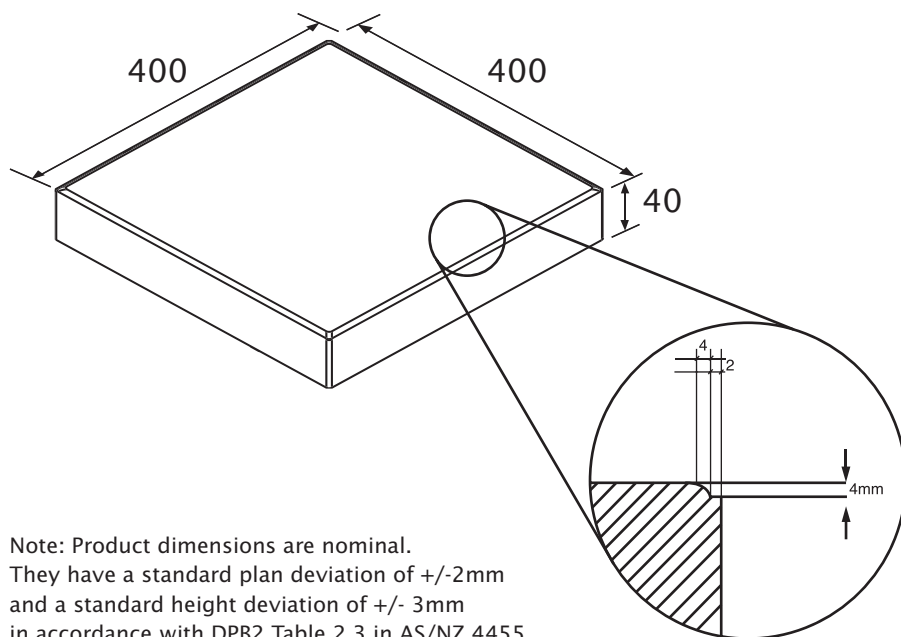


Euro Classic 400mm x 400mm

Product Dimensions



Note: Product dimensions are nominal. They have a standard plan deviation of +/-2mm and a standard height deviation of +/- 3mm in accordance with DPB2 Table 2.3 in AS/NZ 4455.

All dimensions are in millimetres.

Product Specifications

Average Product Weight	14.3kg
Average No. Per Tonne	73
Average No. Per m ²	6.25
Average No. Per Pallet	108
Bevel Size	4mm
Available Colours	Paris Rome Prague Athens London Madrid Berlin Dublin Monaco

Description	Results	Test Method / Standard
Mean Abrasion Resistance Index	3.5	AS/NZS 4456.9 : 2003
Characteristic Breaking Load ¹	7.0kN	AS/NZS 4456.5 : 2003
Mean Modules of Rupture	>4.0MPa	AS/NZS 4456.5 : 2003
Unsealed Slip Resistance ²	V Very low risk of slipping on floor surface when wet	AS/NZS 4586 : App.A
Water Absorption Properties	Maximum 3%	AS/NZS 4456.14 : 2003
Resistance to Salt Attack	Exposure Category	AS/NZS 4456:10 : 2003
Potential to Effloresce	Nil to Slight	AS/NZS 4456.6 : 2003
Dimensional Deviation	DPB2	AS/NZS 4455 : 1997

Notes: 1 For additional information refer to Euro Installation Guide.

2 Sealing of the surface will reduce slip resistance. Refer to Adbri Masonry for details.